

XB Product features

Voltage: < 12V

Current: < 20mA

Conduction time: 2ms

Closed circuit resistance: < 10ohm

Open circuit resistance: > 10m ohm

High temperature resistance: 120 degrees

Terminal tension: 500gf / min

Humidity:25~95%RH

Service life: 100000 times

XB Product features

XB产品特性

1. SW-200m-20 is a single ball type unidirectional tilt inductive trigger switch.

1.SW-200是一个单球型双程倾斜感应触发开关。

2. When the guide end (no pin end) of the product is tilted and the tilt angle is greater than 10 degrees, the product is in the open circuit, (off) state. When the horizontal state of the product is tilted, the trigger end (gold-plated pin end) is lower than the horizontal and the tilt angle is greater than 10 degrees, the product is in the closed circuit, (on) state.

2.当产品导向端（无销端）倾斜且倾斜角度大于10度时，产品处于开路、（关）状态。当产品水平状态倾斜，触发端（镀金销端）低于水平且倾斜角度大于10度时，产品处于闭路、（开）状态。

3. When it is placed horizontally, shaking is easy to trigger, but when there is no foot down, shaking is not easy to trigger.

3.水平放置时，易引发震动；没有脚的时候，不容易引起摇晃。

4. The product of this specification is completely sealed, waterproof and dustproof.

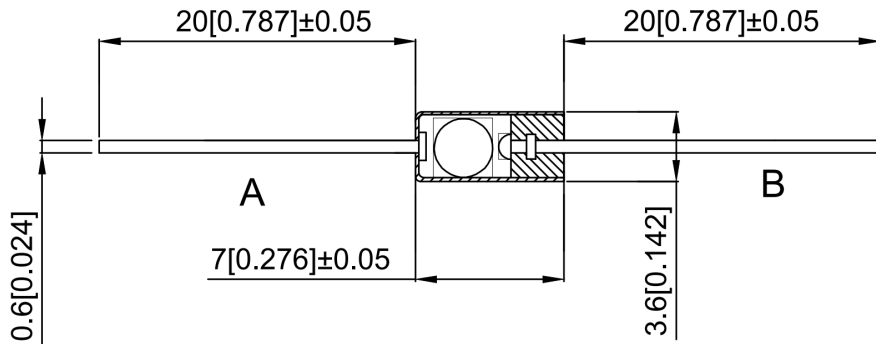
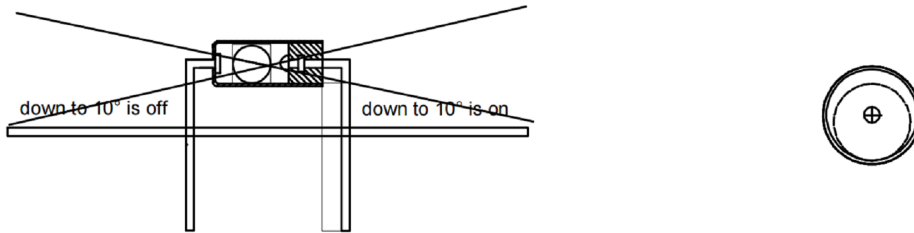
4.本规范产品完全密封、防水、防尘。

5. Under normal conditions, the service life of the switch can reach 100000 times.

5.正常情况下，开关使用寿命可达10万次。

6. This product is made of environmental protection metal material.

6、本产品采用环保型金属材料，性能稳定。



⑥	Plug	1	PC		
⑤	Ball	1	Brass	SC	
④	Ball	1	Brass	SC&GP2U	
③	Pin A	1	Brass	SILVERING	
②	Pin B	1	Brass	GP 2U	
①	Copper Pipe	1	Brass	SC&GP2U	
ITEM	PAPT NAMF	QTY	MATERIAL	FINISHING	REMARK

DSND	SCALE: N/A	MODEL TYPE: Vibration switch
DWN	VIEW:	PART NO.:
CHKD	UNIT: mm/in	DWG NO.:
APPD	SIZE: A4	SW-200M-20N20G
		WEIGHT
		SHEET
		1/1
		REVISIC
		A0



DONG GUAN XI BANG ELECTRONIC CO., LTD

				ANGLAR	±5°
				L ≤ 4	±0.2
				4 < L ≤ 16	±0.3
				16 < L ≤ 63	±0.4
				L > 63	±0.5
				UNSPECIFIED TOLERANCES	
	DATE	REVISED	APPROVED		
www.alpsr.com www.gdxjdz.com www.xbswitch.com					